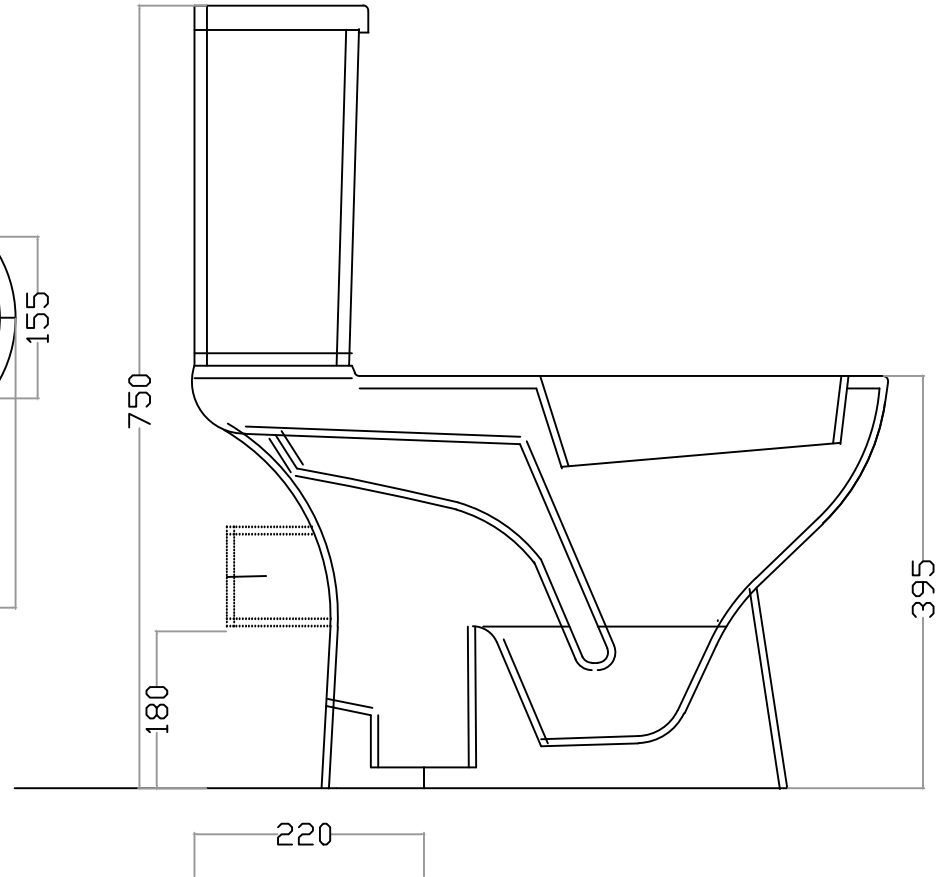
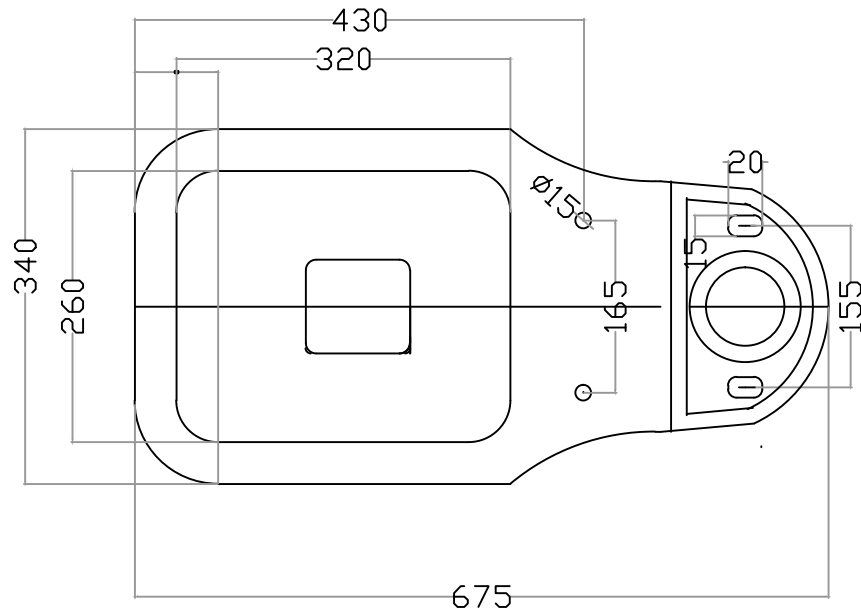


2044-48

EWC CAMERY S/P



**Dimensions**

A	B	C	P	Q	K	D1	H	N	WD	C1
675	340	395	260	320	430	100	750	165	220	180