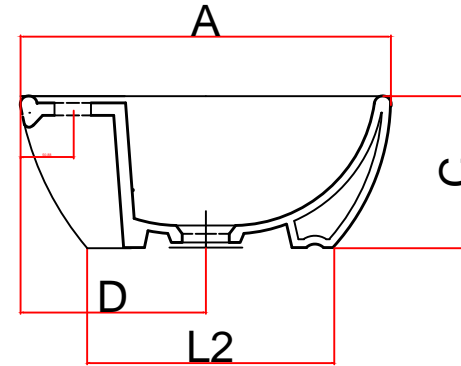
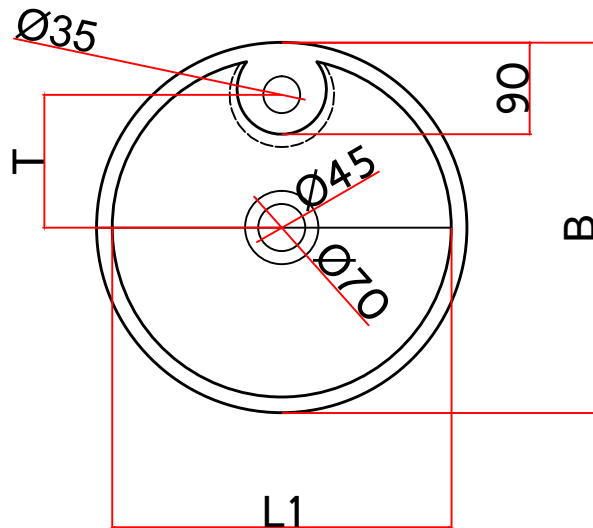


1517

W.B. JENNIS TABLE TOP 350 dia



Dimensions	A	B	C	D	E	A50	F2	L1	L2	N	T
	350	350	145	177	N/A	N/A	N/A	325	235	N/A	170 _{max.}