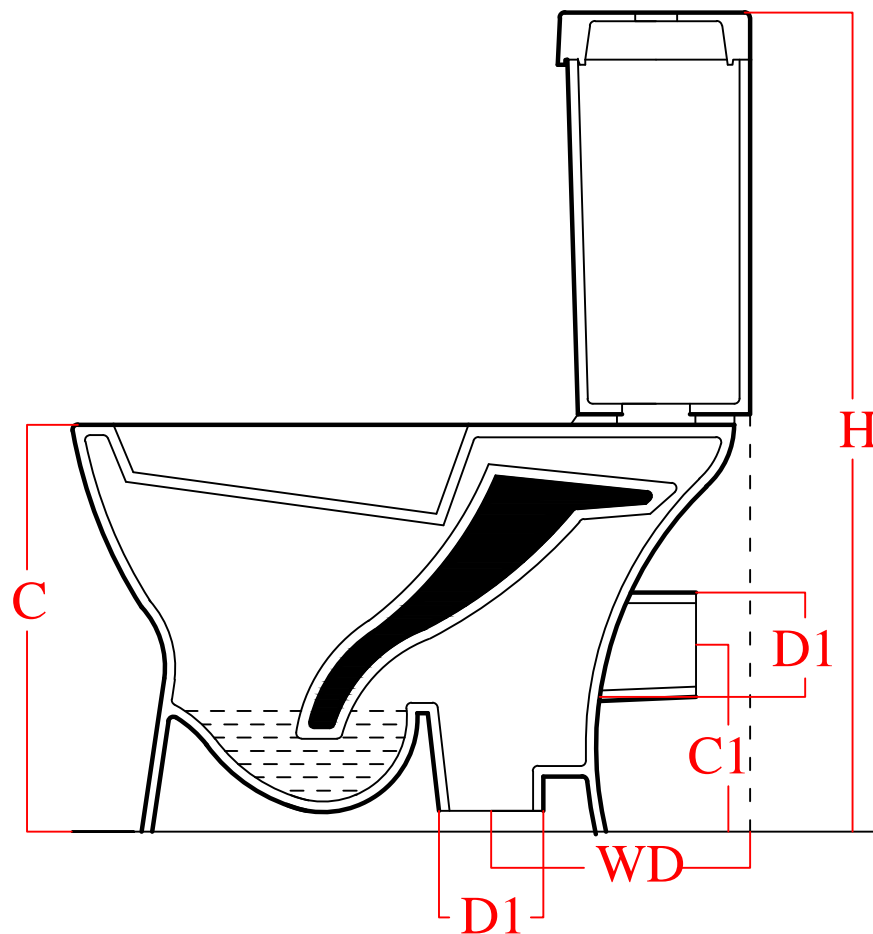
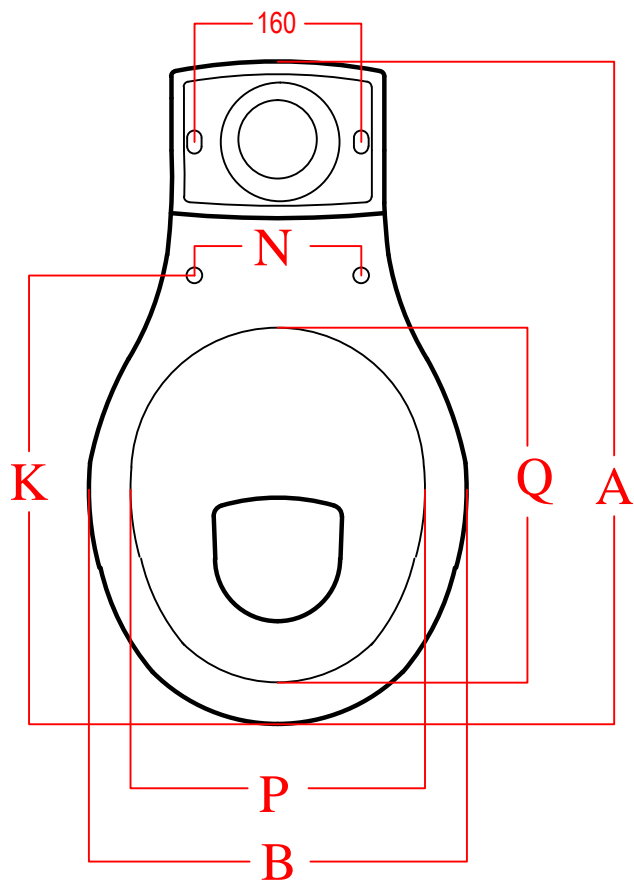


2024 & 2027

E W C Ultra "P" & "S" (650 X 360)



Dimensions	A	B	C	P	Q	K	D1	H	N	WD	C1
	650	360	390	280	340	430	100	780	160	220	180