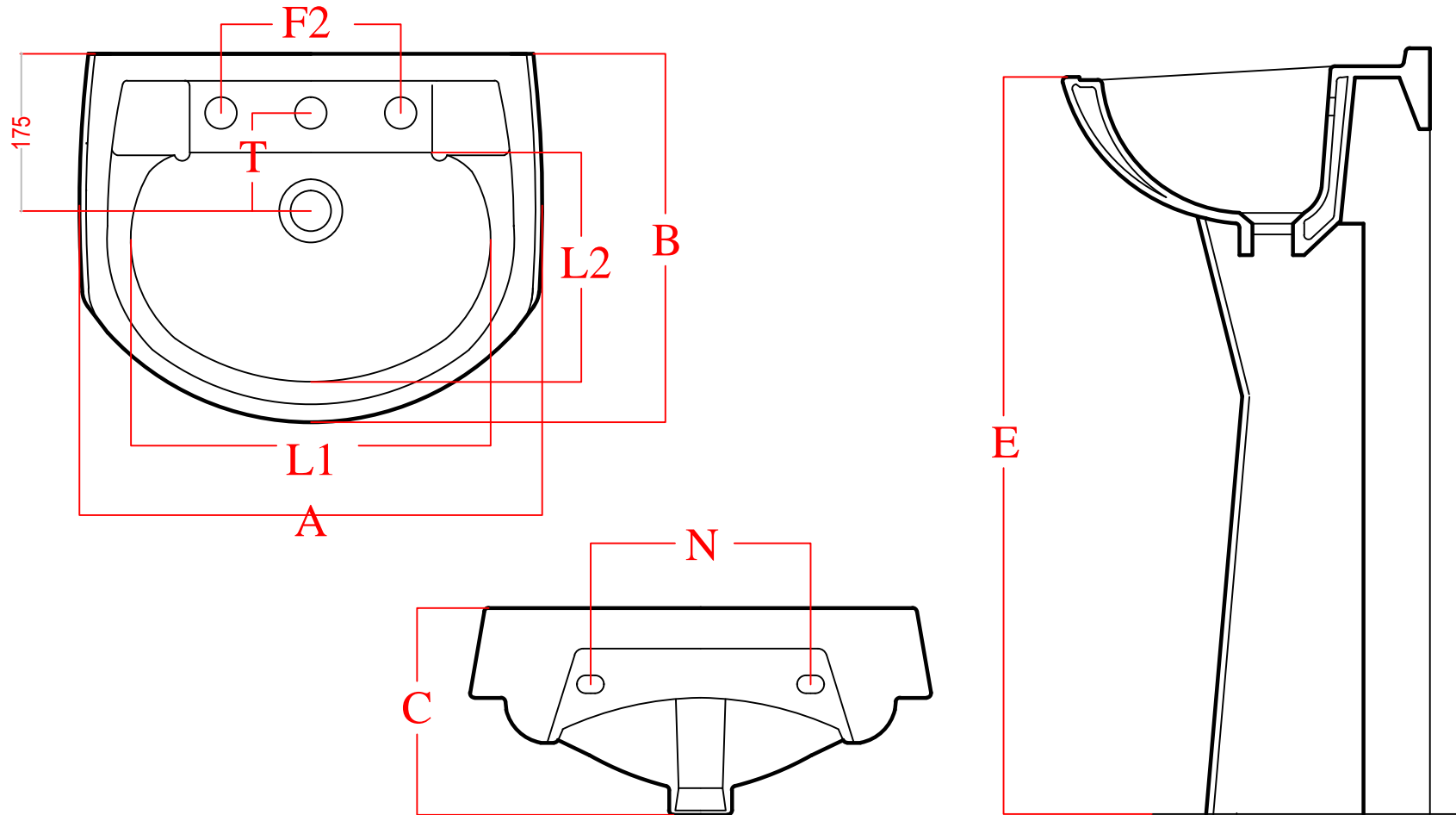


1041

# Wash Basin Spark (500 X 400)



Dimensions	A	B	C	D	E	A50	F2	L1	L2	N	T
	500	400	230	n.a.	820	n.a.	200	400	255	245	170 <sub>max.</sub>